

DUMPSQUEEN

Supporting Cisco Datacenter Networking Devices

Cisco 010-151

Version Demo

Total Demo Questions: 10

Total Premium Questions: 136

Buy Premium PDF

<https://dumpsqueen.com>

support@dumpsqueen.com

dumpsqueen.com

QUESTION NO: 1

What are the two layers in the SAN hierarchy? (Choose two.)

- A. Protocol layer
- B. Fabric layer
- C. Connection layer
- D. Switch layer
- E. Storage layer

ANSWER: C E

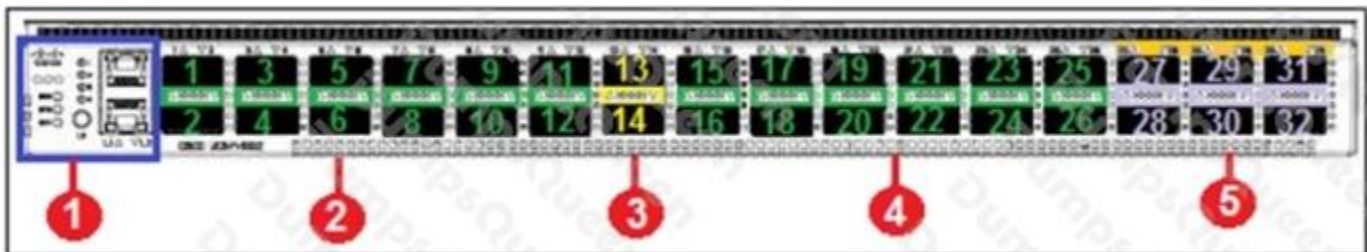
QUESTION NO: 2

Which tool does a network administrator not need when installing hardware?

- A. cable tester
- B. wrench set
- C. cable wraps
- D. needle-nose pliers
- E. PCMCIA memory
- F. soldering iron with grounded tip

ANSWER: F

QUESTION NO: 3



Refer to the exhibit. Which item does 3 represent?

- A. Operate as 40-Gbps QSFP+ ports or as 4 × 10-Gbps SFP+ breakout ports
- B. Operate as 40-Gbps QSFP+ ports, and support QSA adapters to provide 1-Gbps to 10-Gbps operation
- C. Operate as port lane switch button, port lane LEDs, and Layer 1 and Layer 2 ports.
- D. Operate as dedicated 40-Gbps, QSFP+ uplink ports.

ANSWER: D

Explanation:

Reference: https://www.cisco.com/c/en/us/td/docs/unified_computing/ucs/hw/6300-install-guide/6300_Series_HIG/6300_Series_HIG_chapter_01.html

QUESTION NO: 4

On which three devices can the Host Upgrade Utility be performed? (Choose three.)

- A. C420
- B. C230
- C. B230
- D. B210
- E. C210
- F. B460
- G. C240

ANSWER: A E G

QUESTION NO: 5

Cisco UCS 5100 Blade Server Chassis supports which two devices? (Choose two.)

- A. Blade servers
- B. Fiber Extenders
- C. Rack-mount Servers
- D. S-Series Storage servers

E. E-Series Servers

ANSWER: A C

Explanation:

Reference: https://www.cisco.com/c/en/us/products/collateral/servers-unified-computing/ucs-5100-series-blade-server-chassis/data_sheet_c78-526830.html

QUESTION NO: 6

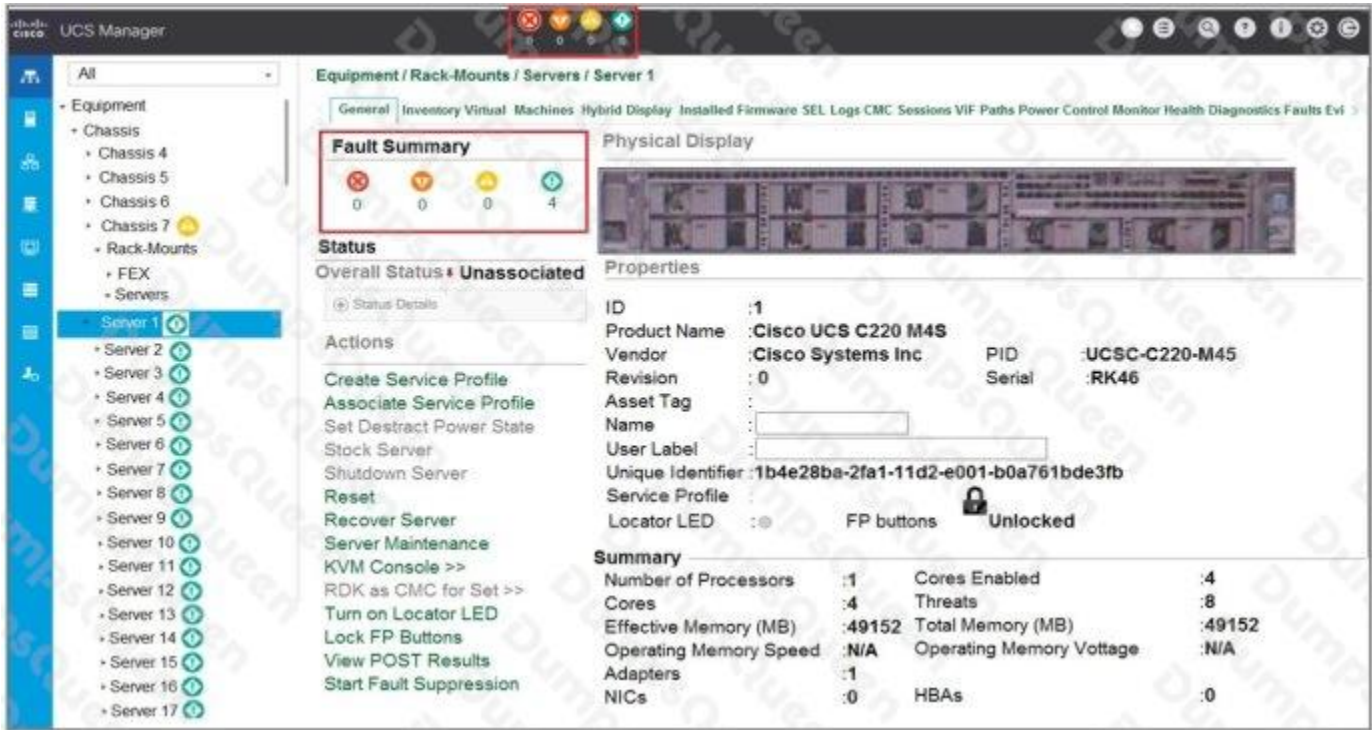
Where do you find the model number of a Cisco MDS 9200 Series chassis?

- A. on the top front of the chassis next to the serial number
- B. on the bottom front of the chassis next to the Cisco logo
- C. on the top front of the chassis next to the Cisco logo
- D. on the bottom front of the chassis next to the serial number

ANSWER: C

QUESTION NO: 7 - (DRAG DROP)

DRAG DROP



Refer to the exhibit. Match the Fault Icons to the appropriate description.

Select and Place:



Problems exist with one or more components that might adversely affect system performance. These issues should be researched and fixed as soon as possible before they become major or critical issues.



Potential problems exist with one or more components that might adversely affect system performance if they are allowed to continue. These issues should be researched and fixed as soon as possible before the problem grows worse.



Critical problems exist with one or more components. These issues should be researched and fixed immediately.



Serious problems exist with one or more components. These issues should be researched and fixed immediately.

ANSWER:



Problems exist with one or more components that might adversely affect system performance. These issues should be researched and fixed as soon as possible before they become major or critical issues.



Potential problems exist with one or more components that might adversely affect system performance if they are allowed to continue. These issues should be researched and fixed as soon as possible before the problem grows worse.



Critical problems exist with one or more components. These issues should be researched and fixed immediately.



Serious problems exist with one or more components. These issues should be researched and fixed immediately.

Explanation:

Reference:

https://www.cisco.com/en/US/docs/unified_computing/ucs/sw/gui/config/guide/141/UCSM_GUI_Configuration_Guide_141_chapter3.html

QUESTION NO: 8

Which two statements about PCIe are true? (Choose two.)

- A. The PCIe link is built around dedicated unidirectional couples of serial, point-to-point connections known as lanes.
- B. You can install a PCI Express x8 adapter into an x4 slot.
- C. The PCIe standard is a bus-based system in which all the devices share the same bidirectional, 32-bit or 64-bit, parallel signal path.
- D. The PCIe 1.0 standard doubles the transfer rate compared to PCIe 2.0.
- E. A link that is composed of four lanes is called an x4 link.

ANSWER: A E

QUESTION NO: 9

Which command can be used to exit to EXEC mode from this current mode?

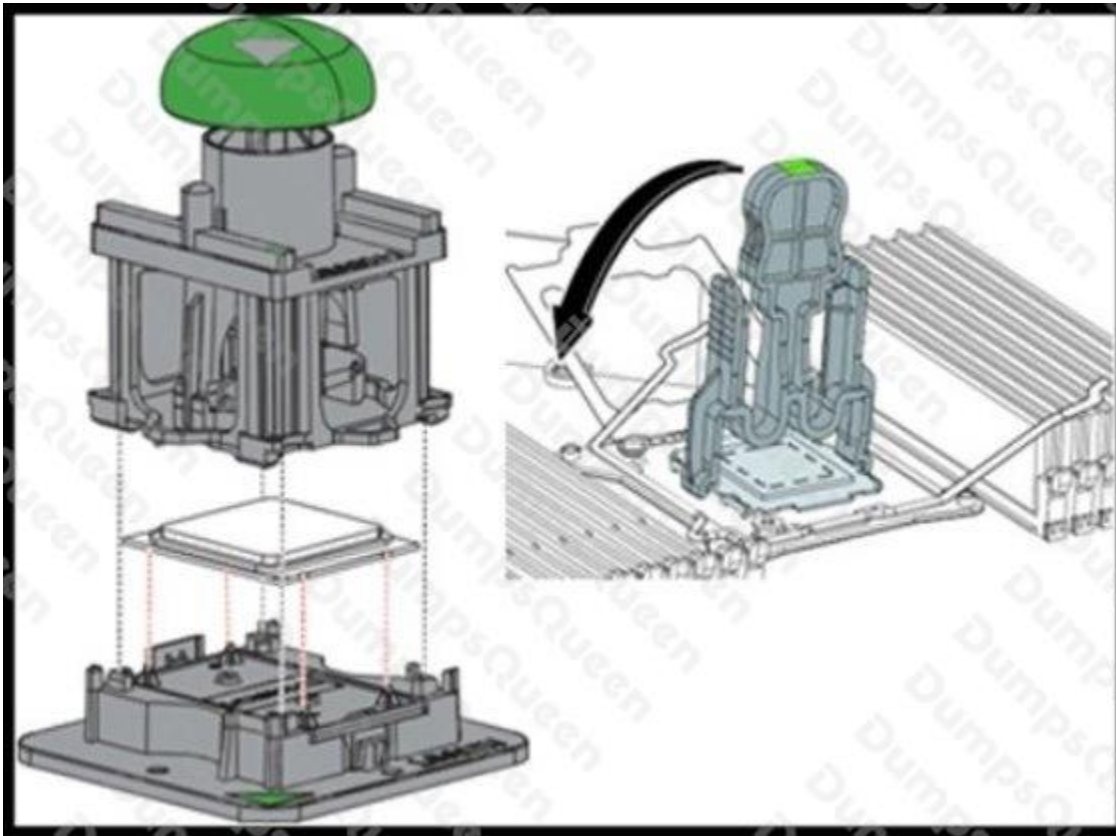
switch(config-if) #

- A. Ctrl-C
- B. Ctrl-L
- C. quit
- D. exit
- E. end

ANSWER: E

QUESTION NO: 10

Refer to the exhibit.



This image shows a CPU Pick-and-Place tool and a CPU Socket Protective Cap Removal tool.

Which types of Cisco UCS servers and Intel Xeon processors do these tools support?

- A. Cisco UCS B22 Blade Server, C22 Rack Server, and C24 Rack Sever with Intel Xeon E5-2400 Series processors
- B. Cisco UCS B22 Blade Server, C22 Rack Server, and C24 Rack Sever with Intel Xeon E5-2600 Series processors
- C. Cisco UCS B200 M3 Blade Server, B420 M3 Blade Server, C220 Rack Server, C240 Rack Sever, and C420 Rack Sever with Intel Xeon E5-2400 Series processors
- D. Cisco UCS B200 M3 Blade Server, B420 M3 Blade Server, C220 Rack Server, C240 Rack Sever, and C420 Rack Sever with Intel Xeon E5-2600 Series processors

ANSWER: D