

DUMPSQUEEN

Implementing Cisco Service Provider VPN Services (300-515 SPVI)

Cisco 300-515

Version Demo

Total Demo Questions: 10

Total Premium Questions: 59

Buy Premium PDF

<https://dumpsqueen.com>

support@dumpsqueen.com

dumpsqueen.com

Topic Break Down

Topic	No. of Questions
Topic 1, VPN Architecture	23
Topic 2, Layer 2 VPNs	13
Topic 3, Layer 3 VPNs	21
Topic 4, IPv6 VPNs	2
Total	59

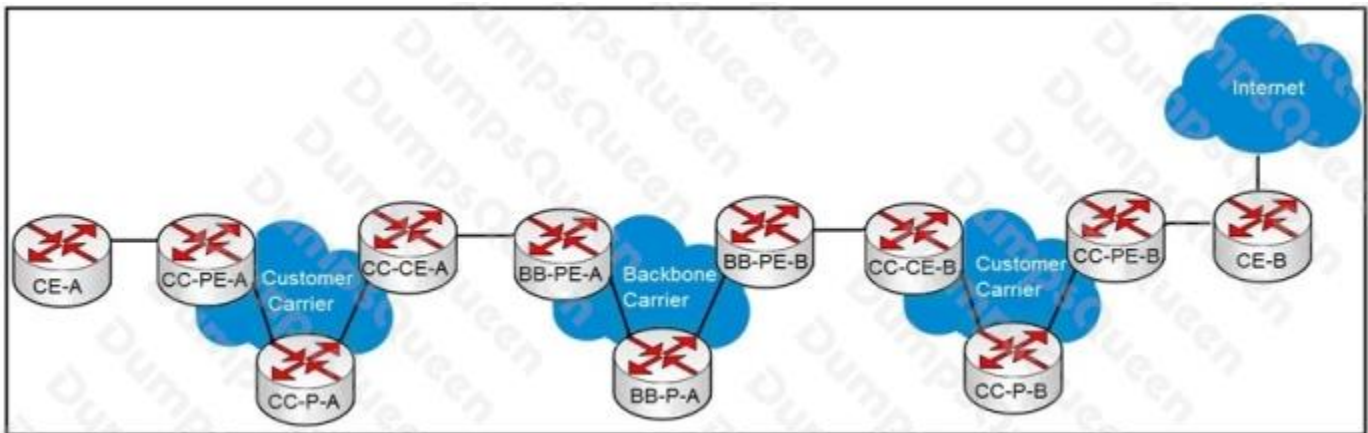
QUESTION NO: 1

You are troubleshooting ARP connectivity issues for an Ethernet interface on an IOS XR network that runs IS-IS. You verify that the IGP protocol is running, but an ARP entry has not yet been created.

Which action should you take?

- A. debug ping packets
- B. debug ARP
- C. ping the connected neighbor
- D. verify the RIB table routes

ANSWER: C

QUESTION NO: 2

Refer to the exhibit. A customer carrier running MPLS VPN wants to utilize a backbone carrier to forward traffic and exchange VPNv4 prefixes between the two customer carrier networks depicted. Which two sets of routers must establish MP-iBGP sessions? (Choose two.)

- A. BB-PE-A and CC-PE-B
- B. CC-PE-A and CC-PE-B
- C. BB-PE-A and BB-PE-B
- D. CC-PE-A and BB-PE-A
- E. BB-PE-A and BB-P-A
- F. CC-PE-A and CC-P-A

ANSWER: B C

Explanation:

Reference: https://www.cisco.com/c/en/us/td/docs/ios-xml/ios/mp_ias_and_csc/configuration/12-2sx/mp-ias-and-csc-12-2sx-book/mp-carrier-bgp.html

QUESTION NO: 3

In an Ethernet Virtual Circuit environment, which restriction do bridge domains have when STP is running?

- A. The STP mode must be RSTP or PVST+
- B. Bridge domains must be mapped to a different VLAN.
- C. The STP mode must be MSTP
- D. Bridge domains must belong to different MST instances.

ANSWER: C

Explanation:

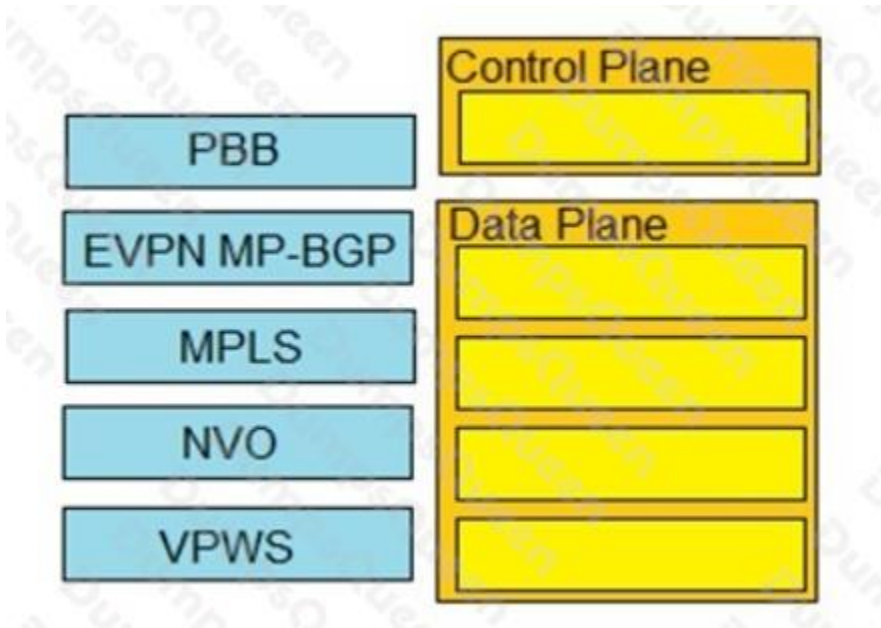
Reference: https://www.cisco.com/c/en/us/td/docs/routers/asr920/configuration/guide/ce/b_ce_xe-313s-asr920-book/b_ce_xe-313s-asr920book_chapter_01.html#reference_770349446ED24E83821EF701DDC46BFD

QUESTION NO: 4 - (DRAG DROP)

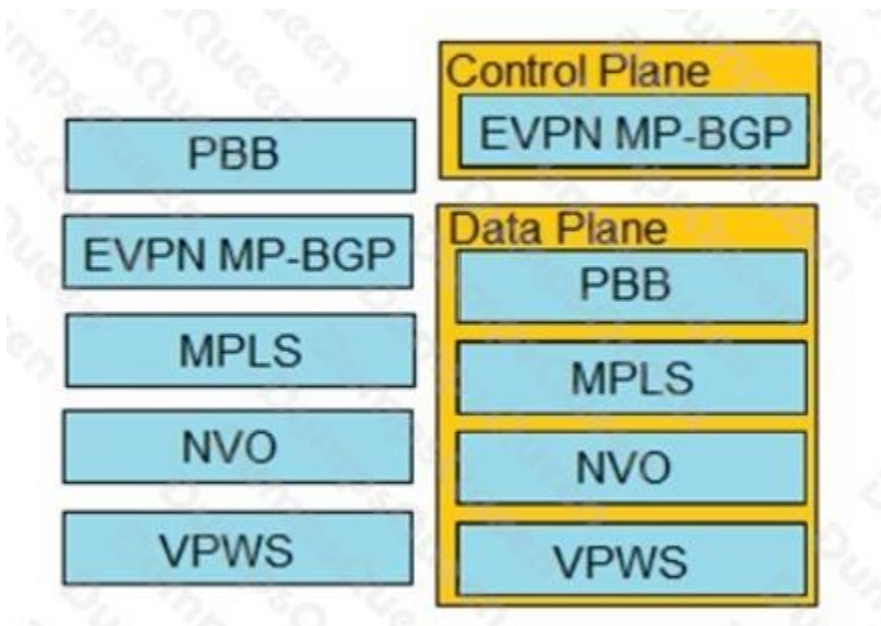
DRAG DROP

Drag and drop the EVPN components from the left onto the correct planes on the right.

Select and Place:



ANSWER:



Explanation:

Reference: https://www.cisco.com/c/dam/m/en_us/network-intelligence/service-provider/digital-transformation/knowledge-network-webinars/pdfs/0420-eqn-ckn.pdf slide 8

QUESTION NO: 5

The CTO of a company requires the support of a network consultant to deliver an MPLS solution without resigning to a certain degree of redundancy and scalability. Which solution effectively scales to hundreds or thousands of sites?

- A. L2VPN with the broadcast traffic processed at the ingress PE.
- B. L3VPN with direct LSP connectivity between all PEs.
- C. L2VPN by encapsulating multiple frame formats with interworking.
- D. L3VPN using a hierarchical topology of N-PEs and U-PEs.

ANSWER: D

QUESTION NO: 6

<pre>PE1 ip vrf CE1 rd 101:1 route-target export 100:1 route-target import 200:2</pre>	<pre>PE2 ip vrf CE2 rd 202:2 route-target export 200:2 route-target import 100:1</pre>
<pre>PE3 ip vrf CE3 rd 303:3 route-target export 300:3 route-target import 400:4</pre>	<pre>PE4 ip vrf CE4 rd 404:4 route-target export 400:4 route-target import 300:3</pre>

Refer to the exhibit. A network engineer has been called to configure the four PE devices in order to enable full communication among the four CE devices connected to them. While starting to configure, he experienced a connectivity issue. Which two tasks should the engineer perform in order to begin the process correctly? (Choose two.)

- A. Configure PE3 to export route-targets 100:1 and 200:2.
- B. Configure PE3 to import route-targets 100:1 and 200:2.
- C. Configure PE4 to import route-targets 101:1 and 202:2.
- D. Configure PE2 to export route-targets 300:3 and 400:4.
- E. Configure PE1 to import route-targets 300:3 and 400:4.

ANSWER: A B

QUESTION NO: 7

In a typical service provider environment, which two tools are used to help scale PE router connectivity requirements? (Choose two.)

- A. route reflectors
- B. VPNv4 address family
- C. originator ID
- D. cluster ID
- E. confederations

ANSWER: A E

QUESTION NO: 8

<pre>PE1 ip vrf CE1 rd 111:1 route-target export 100:1 route-target import 200:2</pre>	<pre>PE2 ip vrf CE2 rd 112 :2 route-target export 200:2 route-target import 100:1 route-target import 300:3</pre>
<pre>PE3 ip vrf Internet rd 333:3 route-target export 300:3 route-target import 100:1 route-target import 200:2</pre>	

Refer to the exhibit. PE1 and PE2 are exchanging VPNv4 routes for CE1 and CE2, and PE3 contains the default route to the internet. If the three devices are operating normally, which two conclusions describe this configuration? (Choose two.)

- A. The CE1 and CE2 VRFs can exchange routes only between their respective VRFs on PE1 and PE2.
- B. All three routers must be running a distance-vector routing protocol.
- C. All three routers must be running MP-BGP.
- D. The CE1 and CE2 VRFs can access the default route provided by the Internet VRF.
- E. Only the CE2 VRF can access the default route provided by the Internet VRF.

ANSWER: A C

QUESTION NO: 9

Which mechanism reduces the network flooding caused by host ARP learning behavior?

- A. ARP suppression
- B. storm control
- C. root guard
- D. BPDU guard

ANSWER: A

Explanation:

Reference: <https://www.cisco.com/c/en/us/products/collateral/switches/nexus-7000-series-switches/white-paper-c11-735015.html>

QUESTION NO: 10

```
PE(config-router-af)#neighbor 10.10.10.1 local-as 100
PE(config-router-af)#neighbor 10.10.10.1 remote-as 65000
PE(config-router-af)#neighbor 10.10.10.1 as-override

PE#show ip bgp vpnv4 vrf BLUE 10.10.10.10/32
BGP routing table entry for 111:1234:10.10.10.10/32, version 624
Paths: (1 available, best #2, table BLUE)
  Advertised to update-groups:
    38          39
 65000 65100 65222 65000
 192.168.40.1 (metric 31410) from 192.168.10.1 (192.168.10.1)
  Origin incomplete, localpref 100, valid, internal, best
  Extended Community:  RT:111:1234
  Originator: 192.168.20.1, Cluster list: 192.168.30.1
  mpls labels in/out nolabel/1146
```

Refer to the exhibit. While provisioning a new BGP session between the PE and CE router, you issue the as-override command. Which statement describes modification of the prefix before being sent to the CE router (10.10.10.1)?

- A. The fourth AS changes, but no other autonomous systems change.

- B. The first and fourth autonomous systems change.
- C. The second and third autonomous systems change.
- D. The first AS changes, but no other autonomous systems change.

ANSWER: D