

DUMPSQUEEN

Implementing Cisco Application Centric Infrastructure - Advanced (DCACIA)

Cisco 300-630

Version Demo

Total Demo Questions: 10

Total Premium Questions: 76

Buy Premium PDF

<https://dumpsqueen.com>

support@dumpsqueen.com

dumpsqueen.com

Topic Break Down

Topic	No. of Questions
Topic 1, ACI Packet Forwarding	16
Topic 2, Advanced ACI Policies and Integrations	26
Topic 3, Multipod	12
Topic 4, Multisite	12
Topic 5, Traditional network with ACI	10
Total	76

QUESTION NO: 1

Which firewall connection allows for the integration of service nodes in transparent mode with a Cisco ACI Multi-Pod setup?

- A. active-standby mode across pods
- B. active-active mode per pods for communication between internal endpoints
- C. active-standby mode per pods for communication between endpoints and external networks
- D. active-active mode across pods

ANSWER: A

Explanation:

Reference: <https://www.cisco.com/c/en/us/solutions/collateral/data-center-virtualization/application-centric-infrastructure/white-paper-c11-739571.html> (table 1)

QUESTION NO: 2

Create L4-L7 Devices

STEP 1 > Cluster

1. Cluster 2. Devices 3. Parameters

Name: Firewall

Device Package: CISCO-CloudMode-1.0

Context Aware: Multiple Single

Function Type: GoThrough GoTo L1 L2

Device Type: CLOUD PHYSICAL VIRTUAL

Cluster Management Interface

EPG: OOB/OOB-Network

Virtual IP Address: 10.1.1.1

Port: 443

Username: admin

Password: *****

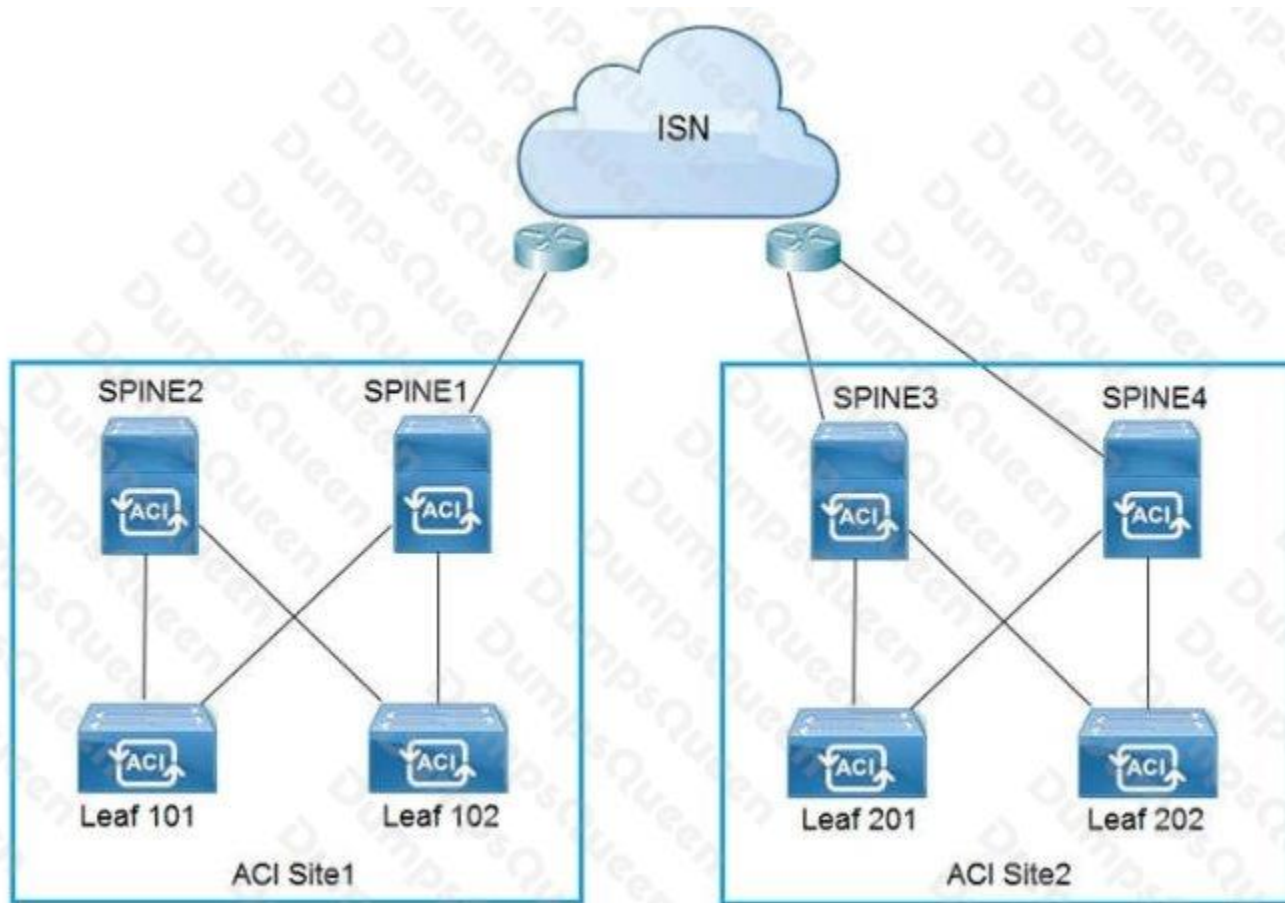
Confirm Password: *****

Refer to the exhibit. A network engineer configures a Layer 4 to Layer 7 device for an outside routed firewall that is connected to POD-1 inside a Cisco ACI fabric that consists of two pods. All traffic from POD-1 or POD-2 that uses the L3Out should pass through the routed firewall. Which Function Type must be implemented in the service graph for POD-2 to use L3Out?

- A. GoThrough
- B. L1
- C. GoTo
- D. L2

ANSWER: D

QUESTION NO: 3

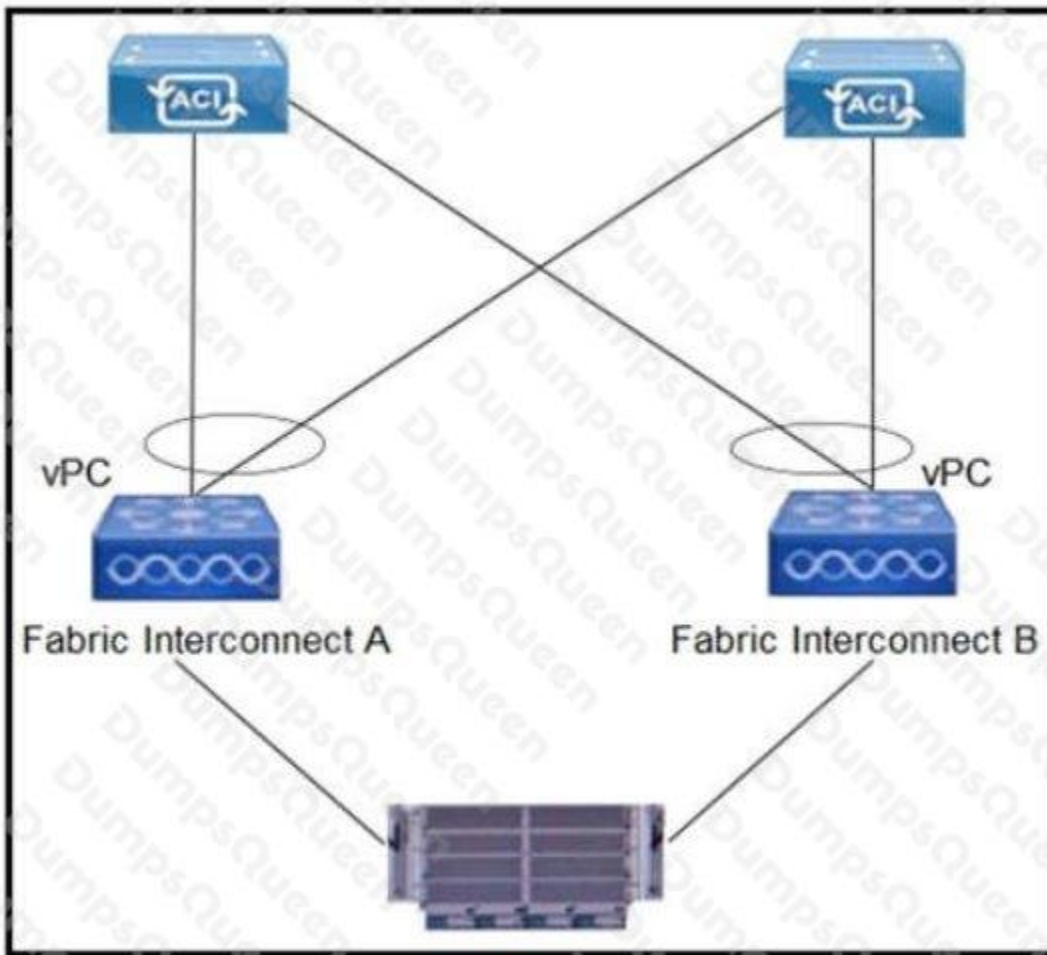


Refer to the exhibit. Which two configuration steps are required in ISN for Cisco ACI Multi-Site setup? (Choose two.)

- A. Connect Spine2 to ISN routers.
- B. Configure BIDIR-PIM throughout the ISN
- C. Increase ISN MTU to support the maximum MTU that is sent by endpoints
- D. Configure OSPF between spines and ISN routers
- E. Enable IGMPv3 on ISN routers

ANSWER: D E

QUESTION NO: 4

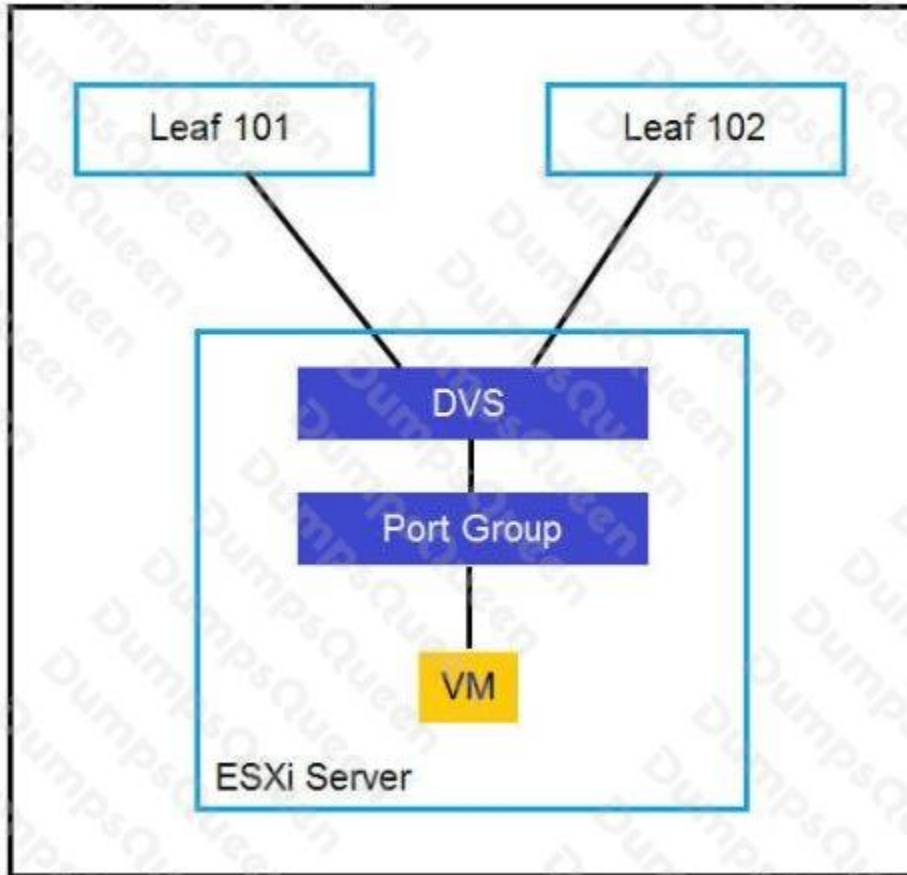


Refer to the exhibit. Which configuration mode must be selected for the VMM vSwitch Port Channel policy to avoid MAC flapping on the Cisco UCS FIs and Cisco ACI leaf switches?

- A. LACP Passive
- B. MAC Pinning
- C. LACP Active
- D. Static Channel – Mode On

ANSWER: B

QUESTION NO: 5



Refer to the exhibit. An engineer is configuring a vSwitch policy in the existing Cisco ACI fabric. The requirement is for the Cisco ACI leaf to learn individual MAC addresses from the same physical port. Which vSwitch policy configuration mode must be enabled to meet this requirement?

- A. MAC pinning
- B. MAC binding
- C. LACP passive
- D. LACP active

ANSWER: A

QUESTION NO: 6 - (DRAG DROP)

DRAG DROP

Drag and drop the tenant implementation designs from the left onto the outcomes of the design when a greenfield Cisco ACI fabric is deployed on the right.

Select and Place:

Answer Area

VRF configured in common tenant; BDs and EPGs configured in dedicated tenants.	One organization without RBAC requirements owns all of the configuration.
VRF and BDs configured in common tenant; EPGs configured in user tenants.	Different organizations can have overlapping subnets.
VRF, BD, and EPG configured in common tenant.	Organizations use different tenants and share the same subnets.
VRF, BD, and EPG configured in user tenants.	Each organization has access only to dedicated resources, tied into RBAC rules.

ANSWER:

Answer Area

VRF configured in common tenant; BDs and EPGs configured in dedicated tenants.	VRF, BD, and EPG configured in user tenants.
VRF and BDs configured in common tenant; EPGs configured in user tenants.	VRF, BD, and EPG configured in common tenant.
VRF, BD, and EPG configured in common tenant.	VRF configured in common tenant; BDs and EPGs configured in dedicated tenants.
VRF, BD, and EPG configured in user tenants.	VRF and BDs configured in common tenant; EPGs configured in user tenants.

Explanation:

QUESTION NO: 7

An engineer configures a new Cisco ACI Multi-Pod and must set up the link between the spine and the IPN device. Which three actions should be taken to accomplish this goal? (Choose three.)

- A. Enable MP-BGP routing
- B. Enable BIDIR-PIM protocol
- C. Enable PIM-SM protocol
- D. Enable OSPF routing
- E. Enable IS-IS routing
- F. Enable DHCP relay

ANSWER: A B F

QUESTION NO: 8

An engineer must implement a full mesh Cisco ACI Multi-Site architecture. Which action must be taken on each spine to accomplish this goal?

- A. Configure BGP-EVPN Router-ID
- B. Configure Multi-Pod Data-Plane TEP
- C. Configure Overlay Unicast TEP
- D. Configure Overlay Multicast TEP

ANSWER: A

Explanation:

Reference:

<https://www.cisco.com/c/en/us/solutions/collateral/data-center-virtualization/application-centricinfrastructure/white-paper-c11-739609.html>

QUESTION NO: 9

Which two components must be configured as stretched to establish intra-VRF communication between two EPGs that are deployed in different sites and different bridge domains? (Choose two.)

- A. contract
- B. tenant
- C. application profile

- D. bridge domain
- E. EPG

ANSWER: D E

Explanation:

Reference: <https://www.cisco.com/c/en/us/solutions/collateral/data-center-virtualization/application-centric-infrastructure/white-paper-c11-739609.html>

QUESTION NO: 10

A network engineer configured an active-active firewall cluster that is stretched across separate pods in the Cisco ACI fabric. Which two implementation setups for anycast services are available?

(Choose two.)

- A. Modify the Cisco ACI contract scope
- B. Modify the MAC address on the second firewall
- C. Configure the firewalls behind an EPG subnet
- D. Deselect No Default SVI Gateway under EPG Subnet
- E. Deploy a Layer 4 to Layer 7 service graph with PBR

ANSWER: B C