

# DUMPSQUEEN

**Data Center Design. Specialist (JNCDS-DC)**

**Juniper JN0-1302**

**Version Demo**

**Total Demo Questions: 10**

**Total Premium Questions: 96**

**Buy Premium PDF**

**<https://dumpsqueen.com>**

**[support@dumpsqueen.com](mailto:support@dumpsqueen.com)**

**dumpsqueen.com**

## QUESTION NO: 1

Which statement is correct about end-of-row (EoR) access switch designs when compared to top-of-rack (ToR) designs?

- A. Large EoR designs provide more flexibility for connection types.
- B. EoR designs require fewer cable connections to all servers.
- C. EoR designs typically provide fewer access devices to manage.
- D. Large EoR designs minimize the overall cable length required to connect to all servers.

**ANSWER: C**

## QUESTION NO: 2

Which two features add NGFW capabilities to a traditional security device? (Choose two.)

- A. IPS
- B. UTM
- C. IP filters
- D. NAT

**ANSWER: B C**

## QUESTION NO: 3

You are implementing a new data center and need to plan to connect it to your existing data center. You have the requirement for active/active forwarding to enable load balancing and reduce failure times.

Which two technologies should be evaluated for this design? (Choose two.)

- A. point-to-point links
- B. Layer 2 VPN
- C. VPLS
- D. EVPN

**ANSWER: C D**

## QUESTION NO: 4

You want to encapsulate Layer 2 frames for transport across a Layer 3 network.

Which three methods are supported by Juniper Networks to accomplish this task? (Choose three.)

- A. EVPN
- B. VXLAN
- C. MPLS over GRE
- D. Layer 3 VPN
- E. MPLS over UDP

**ANSWER: A B C**

## QUESTION NO: 5

You are designing a large IP fabric and must determine if you should use IBGP or EBGP to signal your underlay.

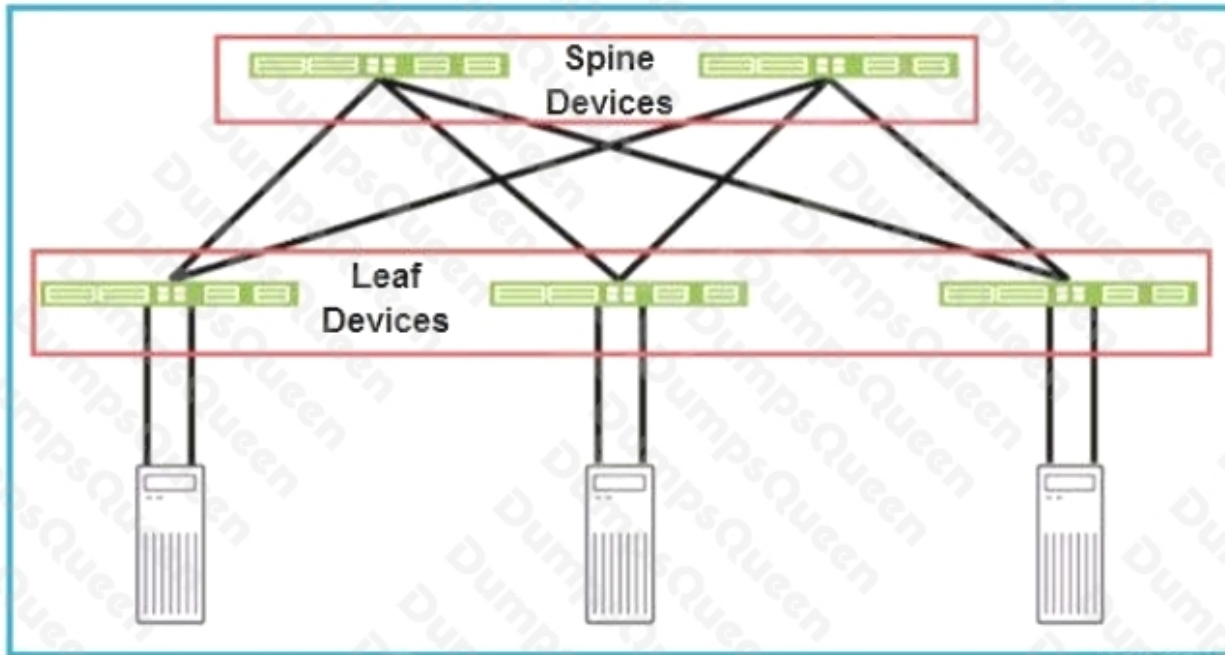
Which statement is correct in this scenario?

- A. IBGP will require a full mesh on all devices.
- B. IBGP will allow your network to scale to larger device numbers.
- C. EBGP will require more BGP neighbors per device.
- D. EBGP will require that an IGP is also configured.

**ANSWER: B**

## QUESTION NO: 6

Click the Exhibit button.



Referring to the exhibit, which two statements are true? (Choose two.)

- A. You should use CoS rewrite rules for traffic coming into the leaf devices.
- B. You should use CoS rewrite rules for traffic leaving the leaf devices.
- C. You should use CoS rewrite rules for traffic leaving the spine devices.
- D. You should use CoS rewrite rules for traffic coming into the spine devices.

**ANSWER: B C**

#### QUESTION NO: 7

You are designing an IP fabric underlay using IBGP with the spines serving as route reflectors.

In this scenario, which BGP capability must be supported on the spines?

- A. add-path
- B. route-monitoring
- C. rib-sharding
- D. route-refresh-priority

**ANSWER: A**

## QUESTION NO: 8

Which three statements about Contrail Networking are true? (Choose three.)

- A. It is used to service chain network functions.
- B. It is used to program physical network functions.
- C. It is used to virtualize and program networks.
- D. It is used to virtualize and program compute.
- E. It is used to create distributed cloud storage.

**ANSWER: A C E**

## QUESTION NO: 9

You are designing an EVPN overlay architecture for your new data center fabric. You must ensure that the servers can be connected to multiple different leaf nodes.

Which feature must be configured to allow for this functionality?

- A. Virtual Router Redundancy Protocol
- B. Virtual Chassis
- C. Ethernet segment identifier
- D. multichassis LAG

**ANSWER: D**

## QUESTION NO: 10

Which statement about a Virtual Chassis deployment is correct?

- A. A Virtual Chassis can include switches mounted in multiple different racks.
- B. A Virtual Chassis can interconnect as many as 20 switches to form a single virtual device.
- C. A Virtual Chassis uses Spanning Tree Protocol between individual member switches.
- D. All member switches must be running the same Junos version.

**ANSWER: D**