

# DUMPSQUEEN

## Enterprise Routing and Switching Professional (JNCIP-ENT)

Juniper JN0-649

Version Demo

Total Demo Questions: 10

Total Premium Questions: 65

Buy Premium PDF

<https://dumpsqueen.com>

[support@dumpsqueen.com](mailto:support@dumpsqueen.com)

dumpsqueen.com

## QUESTION NO: 1

You have scheduled maintenance operations for one of the devices in your OSPF network.

Referring to the exhibit, which three statements are correct? (Choose three.)

```
[edit protocols ospf]
user@R1# show
overload;
area 0.0.0.0 {
    interface ge-0/0/0.0;
interface ge-0/0/1.0;
}
```

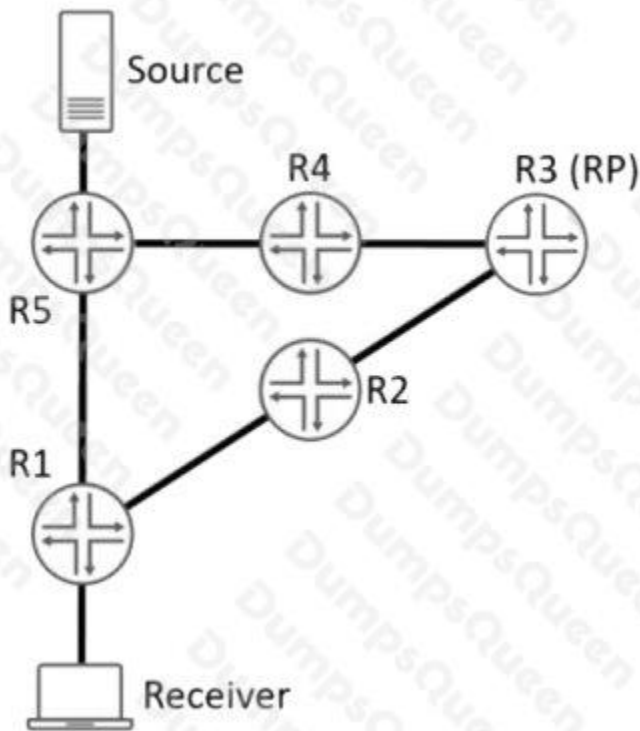
- A. R1 does not participate in OSPF routing.
- B. Any traffic destined for networks that terminate on R1 will still be forwarded to R1.
- C. The metrics for all transit interfaces on R1 is set to the maximum value of 65,535.
- D. R1 participates in OSPF routing but does not send or receive transit traffic.
- E. R1 does not send or receive transit traffic during the maintenance window even if no alternative paths exist to the given destination.

**ANSWER: B C D**

## QUESTION NO: 2

Referring to the exhibit, a PIM-SM network is set up to enable communication between multicast devices.

Which two statements are true? (Choose two.)



- A. Before the formation of the rendezvous-point tree, a join message is sent from R1 to R3.
- B. Before the formation of the rendezvous-point tree, an IGMP is sent from the Receiver to R1.
- C. Before the formation of the rendezvous-point tree, an IGMP is sent from the Source to R5.
- D. Before the formation of the rendezvous-point tree, a join message is sent from R1 to R5.

**ANSWER: B C**

### QUESTION NO: 3

Which two multicast listener registration protocols are supported in the Junos operating system? (Choose two.)

- A. MLD
- B. DVMRP
- C. IGMP
- D. PIM

**ANSWER: A C**

### QUESTION NO: 4

A Layer 2 connection does not extend across data centers. The IP subnet in a Layer 2 domain is confined within a single data center.

Which EVPN route type is used to communicate prefixes between the data centers?

- A. Type 1
- B. Type 2
- C. Type 4
- D. Type 5

**ANSWER: D**

## QUESTION NO: 5

You are deploying an 802.1X solution and must determine what would happen if clients are unable to re-authenticate to the RADIUS server.

In this scenario, which configuration would provide access to the network if the supplicant is already authenticated?

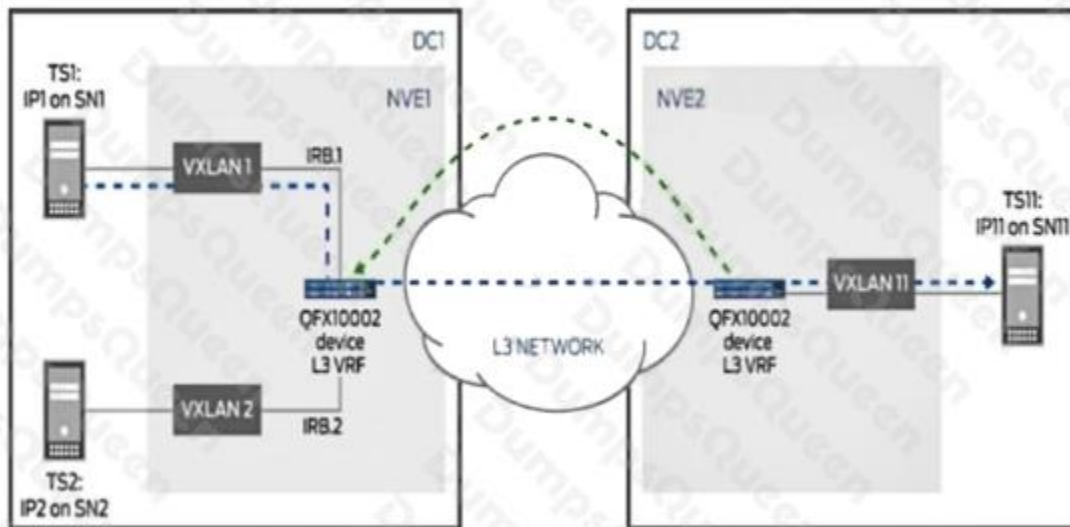
- A. move
- B. permit
- C. deny
- D. sustain

**ANSWER: D**

## QUESTION NO: 6

The connection between DC1 and DC2 is routed as shown in the exhibit.

In this scenario, which statement is correct?



- A. The border devices must be able to perform Layer 3 routing and provide IRB functionality.
- B. L3VPN must be enabled to advertise reachability.
- C. An IP prefix route provides encoding for intra-subnet forwarding.
- D. Type 2 and Type 5 routes will be exchanged between DC1 and DC2.

**ANSWER: A**

### QUESTION NO: 7

You are deploying new Juniper EX Series switches in a network that currently is using Cisco's Per-VLAN spanning tree plus (PVST+) and you must provide compatibility with this environment.

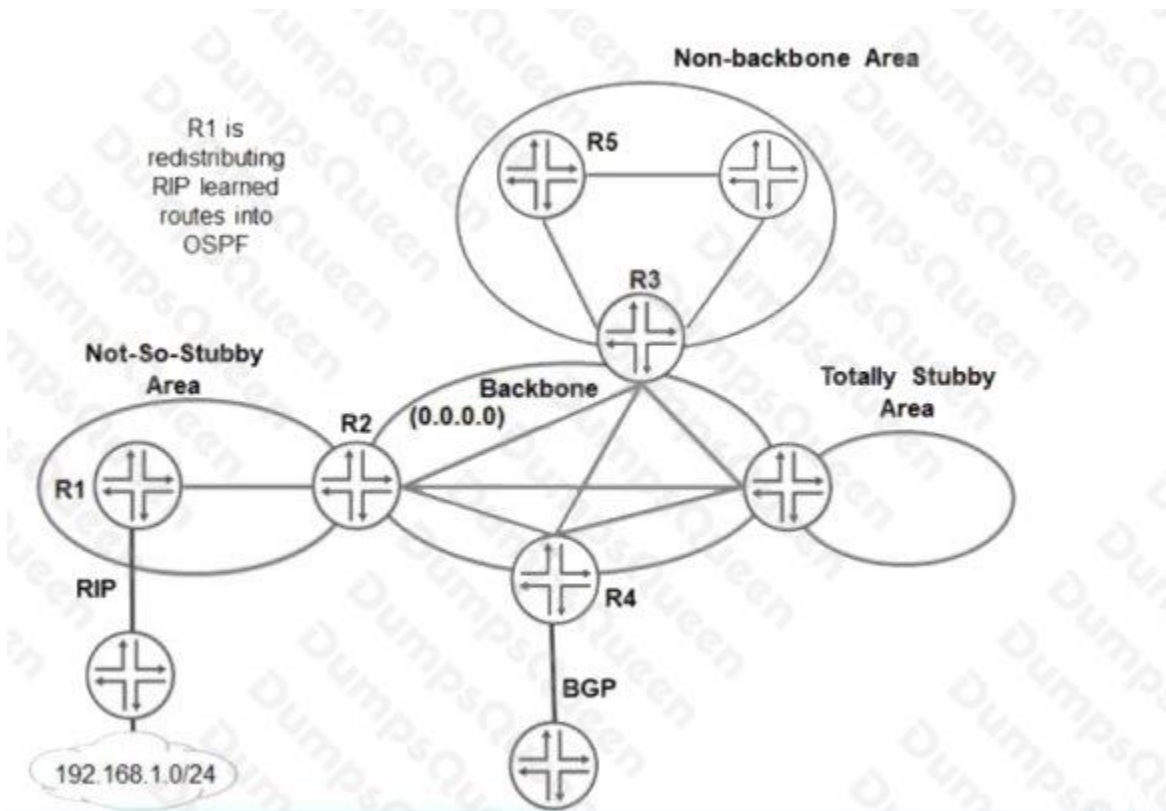
Which spanning tree protocol do you deploy in this scenario?

- A. STP
- B. MSTP
- C. VSTP
- D. RSTP

**ANSWER: B**

### QUESTION NO: 8

Referring to the exhibit, which LSA type is used to advertise 192.168.1.0/24 to R5?



- A. Type 5
- B. Type 4
- C. Type 3
- D. Type 7

**ANSWER: B**

### QUESTION NO: 9

Your EX Series switch has IP telephones and computers connected to a single switch port. You are considering implementing the voice VLAN feature to help with this setup.

In this scenario, which two statements are correct? (Choose two.)

- A. The voice VLAN feature must be used with LLDP-MED to associate VLAN ID and 802.1p values with the traffic.
- B. The interfaces must be configured as access ports.
- C. Assigning the incoming voice and data traffic to separate VLANs enables the ability to prioritize the traffic using CoS.
- D. The voice VLAN feature will enable incoming tagged data and voice traffic to be associated with separate VLANs.

**ANSWER: B C**

## QUESTION NO: 10

You are troubleshooting a BGP connection.

Referring to the exhibit, which two statements are correct? (Choose two.)

```
user@router> show log messages | match notification
Dec 22 19:22:29 router rpd[7394]: bgp_process_open:4185: NOTIFICATION sent to
192.168.1.4 (Internal AS 65000): code 2 (Open Message Error) subcode 2 (bad peer AS
number), Reason: peer 192.168.1.4 (Internal AS 65000) claims 65100, 65000 configured
Dec 22 19:22:33 router rpd[7394]: bgp_pp_rcv:4798: NOTIFICATION sent to 192.168.1.4+
56774 (proto): code 2 (Open Message Error) subcode 2 (bad peer AS number), Reason: no
group for 192.168.1.4+56774 (proto) from AS 65100 found (peer as mismatch)in master
(ge-0/0/1.0), dropping him
Dec 22 19:23:29 router kernel: tcp_auth_ok: Packet from 192.168.1.5:64047 missing MD5
digest
Dec 22 19:23:30 router kernel: tcp_auth_ok: Packet from 192.168.1.6:56201 missing MD5
digest
---(more)---
```

- A. Packet fragmentation is preventing the session from establishing.
- B. The 192.168.1.5 peer has a misconfigured MD5 key.
- C. The ge-0/0/1 interface is disabled.
- D. The 192.168.1.4 peer has a misconfigured autonomous system number.

**ANSWER: A C**