

# DUMPSQUEEN

## Avaya Messaging Support Certified Exam

Avaya 71801X

Version Demo

Total Demo Questions: 10

Total Premium Questions: 60

Buy Premium PDF

<https://dumpsqueen.com>

[support@dumpsqueen.com](mailto:support@dumpsqueen.com)

dumpsqueen.com

## QUESTION NO: 1

In Avaya IX™ Messaging High Availability installations, on which servers are TLS configurations to be applied to secure the communication with the PBX(s)?

- A. Primary server only
- B. Primary server and all Secondary servers
- C. Primary server and Consolidated server
- D. Consolidated server only

**ANSWER: B**

### Explanation:

Reference:

[http://www.esna.com/services/education/IX\\_Messaging\\_10\\_8/SIG/RH5\\_IXM\\_SIG/IXM\\_Server\\_Install\\_Guide\\_TLS/IXM\\_Server\\_Install\\_Guide\\_TLS.htm](http://www.esna.com/services/education/IX_Messaging_10_8/SIG/RH5_IXM_SIG/IXM_Server_Install_Guide_TLS/IXM_Server_Install_Guide_TLS.htm)

## QUESTION NO: 2

In an Avaya IX™ Messaging solution, what are the two locations where the PBX Extension Max Length is configured? (Choose two.)

- A. On the Content Sync Engine server
- B. On the Voice server nodes
- C. On the Consolidated server
- D. On the Database server

**ANSWER: B C**

## QUESTION NO: 3

What are three deployment configuration considerations for installation of Avaya IX™ Messaging? (Choose three.)

- A. Network or mapped drives are not supported.
- B. Network or mapped drives are supported.
- C. An Avaya IX™ Messaging server may be installed on the root drive.
- D. The drives may be a physical drive, or a single drive with partitions.

E. An Avaya IX™ Messaging server only be installed on the root drive.

**ANSWER: A D E**

**Explanation:**

<https://downloads.avaya.com/css/P8/documents/101065045>

## QUESTION NO: 4

When the Primary server becomes unavailable, it will stop updating the time stamps on the copied license files that exist on the Secondary server and the Consolidated server.

To stop the expiration of the copied license files, within how many days must the Primary server be recovered?

- A. 30
- B. 28
- C. 14
- D. 10

**ANSWER: D**

**Explanation:**

Reference:

[http://www.esna.com/services/education/IX\\_Messaging\\_10\\_8/TOG/RH5\\_IXM\\_TOG/IXM\\_TOG\\_HA/IXM\\_TOG\\_HA.htm](http://www.esna.com/services/education/IX_Messaging_10_8/TOG/RH5_IXM_TOG/IXM_TOG_HA/IXM_TOG_HA.htm)

## QUESTION NO: 5

Which three statements about Avaya IX™ Messaging release 10.8 are true? (Choose three.)

- A. A Microsoft Windows operating system is provided with the Avaya IX™ Messaging software bundle.
- B. Avaya IX™ Messaging should be installed on dedicated servers specifically intended for the purpose.
- C. A Microsoft Windows operating system is not provided with the Avaya IX™ Messaging software bundle.
- D. logging in to the servers before the synch is complete will corrupt the database, and prevent all logins on all servers.
- E. Avaya IX™ Messaging can be installed on a shared server.

**ANSWER: B C D**

**Explanation:**

Reference:

[http://www.esna.com/services/education/IX\\_Messaging\\_10\\_8/SIG/RH5\\_IXM\\_SIG/IXM\\_Server\\_Install\\_Guide\\_High\\_Security/IXM\\_Server\\_Install\\_Guide\\_High\\_Security.htm](http://www.esna.com/services/education/IX_Messaging_10_8/SIG/RH5_IXM_SIG/IXM_Server_Install_Guide_High_Security/IXM_Server_Install_Guide_High_Security.htm)

## QUESTION NO: 6

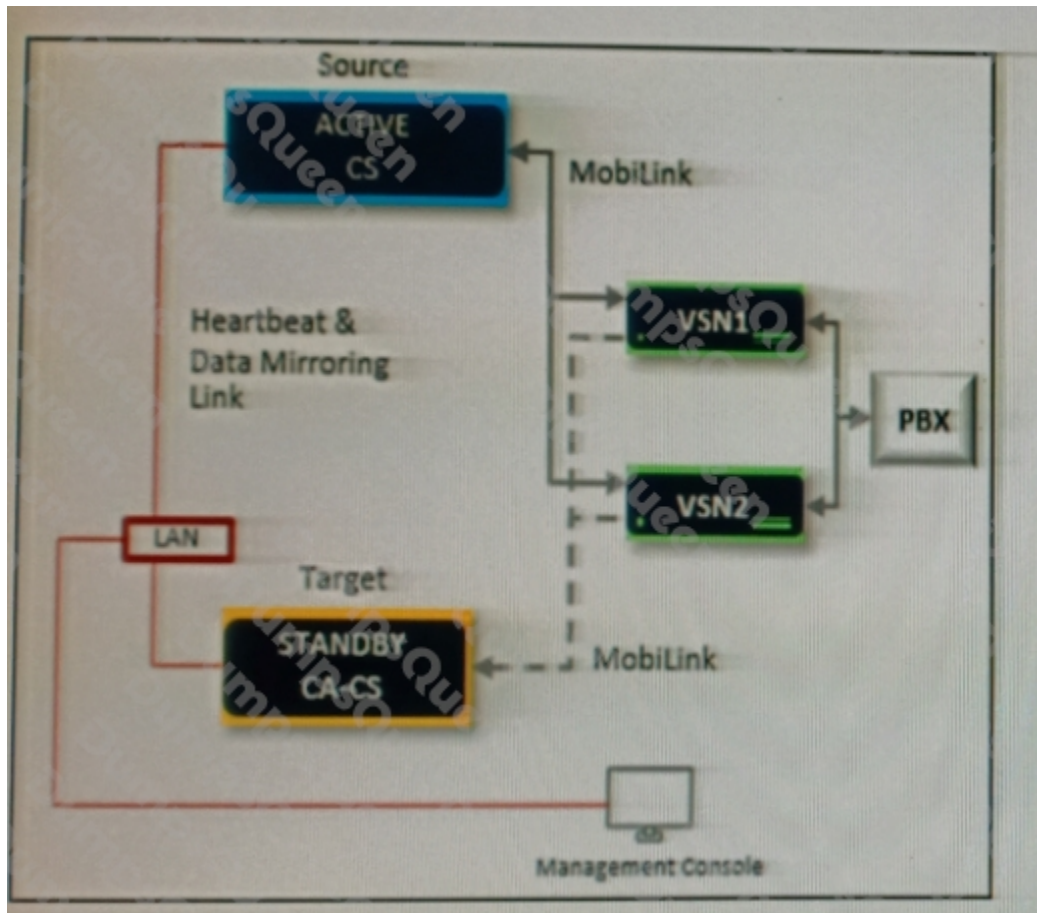
Which version of Avaya IX™ Messaging is able to send SNMP alarms to an SAL gateway?

- A. 10.8
- B. 10.7
- C. 10.6
- D. 10.5

ANSWER: A

## QUESTION NO: 7

Refer to the exhibit.



What is illustrated in the exhibit?

- A. VSN Architecture for Disaster Recovery
- B. Carbonite availability of the Consolidated Server for Disaster Recovery
- C. Two consolidated servers in the active-active mode
- D. A Management Console allowing Avaya IX™ Messaging moves, adds, and changes

**ANSWER: A**

## QUESTION NO: 8

In which two places is web access for a user enabled in an Avaya IX™ Messaging solution? (Choose two.)

- A. In the Mailbox configuration
- B. In the SIP configuration tool
- C. In the Feature Group configuration
- D. On the VSNs

**ANSWER: A B**

### Explanation:

Reference:

[http://www.esna.com/services/education/Web\\_Access/1/#t=Web\\_Access\\_Help%2FIXM\\_Client\\_Applications\\_Guide\\_Web\\_Access%2FIXM\\_Client\\_Applications\\_Guide\\_Web\\_Access.htm](http://www.esna.com/services/education/Web_Access/1/#t=Web_Access_Help%2FIXM_Client_Applications_Guide_Web_Access%2FIXM_Client_Applications_Guide_Web_Access.htm)

## QUESTION NO: 9

Which two Windows operating system languages have been validated on Avaya IX™ Messaging release 10.8?

- A. French
- B. English
- C. Arabic
- D. Chines

**ANSWER: A B**

### Explanation:

Reference:

[http://www.esna.com/services/education/IX\\_Messaging\\_10\\_8/TOG/RH5\\_IXM\\_TOG/IXM\\_TOG\\_System\\_Requirements/IXM\\_TOG\\_System\\_Requirements.htm](http://www.esna.com/services/education/IX_Messaging_10_8/TOG/RH5_IXM_TOG/IXM_TOG_System_Requirements/IXM_TOG_System_Requirements.htm)

## QUESTION NO: 10

In Avaya IX™ Messaging Server, network requirements for larger configurations require a 1 Gb/s network connection between Avaya IX™ Messaging and Email servers. In such cases, a 1Gb/s layer 2-switch between all servers is also required.

How many users are considered for this larger configuration specification?

- A. 400+ UC users
- B. 500+ UC users
- C. 800+ UC users
- D. 1000+ UC users

**ANSWER: C**

### Explanation:

Reference:

[http://www.esna.com/services/education/IX\\_Messaging\\_10\\_8/SIG/RH5\\_IXM\\_SIG/IXM\\_TOG\\_System\\_Requirements/IXM\\_TOG\\_System\\_Requirements.htm](http://www.esna.com/services/education/IX_Messaging_10_8/SIG/RH5_IXM_SIG/IXM_TOG_System_Requirements/IXM_TOG_System_Requirements.htm)