

DUMPSQUEEN

HCIE-Datacom V1.0

Huawei H12-891 V1.0

Version Demo

Total Demo Questions: 20

Total Premium Questions: 610

Buy Premium PDF

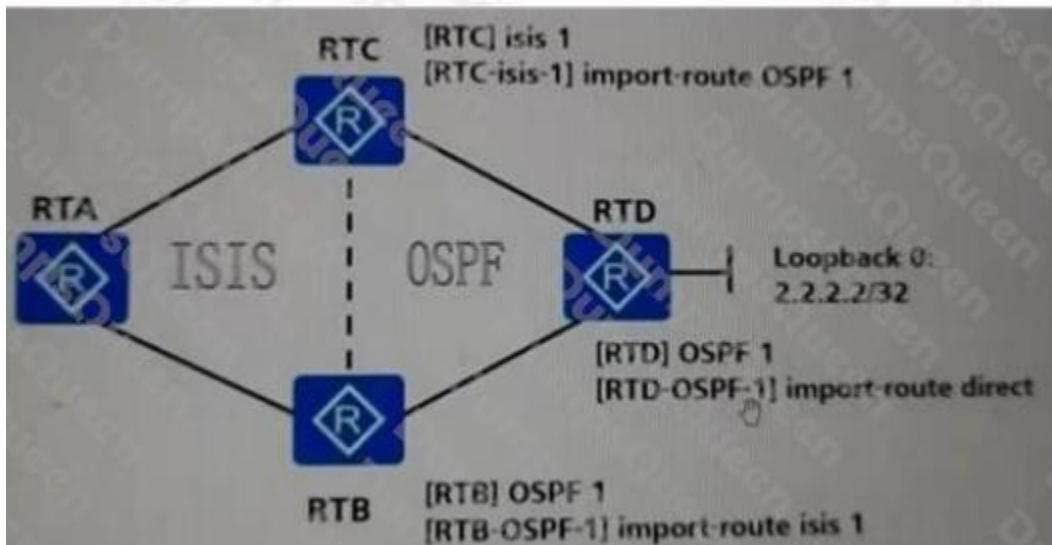
<https://dumpsqueen.com>

support@dumpsqueen.com

dumpsqueen.com

QUESTION NO: 1

In a network, the same gigabit running S and OSPF anti-tampering and fluttering as shown in the figure, on the two border routers RTB and RTC are introduced into the wine route, the device question is to use gigabit one port strobe, , 222 The network is introduced into the OSE via impotrote direct on the RTD, assuming that all other configurations are dead default configurations, then the description of this network is wrong ?



- A. Adjusting the ISIS priority to 160 on the RTB avoids suboptimal routing problems in the network.
- B. On the RTC, the following configuration is adopted, only the routes of the 2222/32 cinder segment can be filtered out when routing is introduced, IRTClip ip-prefix 10 index 1 deny2000 8 less-equal 32
- C. RTB learns that the routing next hop for the 2222/32 network segment is RTA
- D. The following configuration can filter out the routes of the 2222/32 CIDR block of the white RTD when RTC introduces OSPF routes.

ANSWER: B

QUESTION NO: 2

What is the following description of MPLS BGPVPN incorrect?

- A. The TTL field in the label has the effect of preventing loops.
- B. IBGP PEes generally use the Loopback interface address to establish a stable BGP neighbor relationship
- C. BGP So0, which is used to prevent routes issued from a VPN site from passing through the MPLS backbone and back to that site. So0 is an extended group attribute that MP-BGP automatically generates.
- D. The routing exchange between PE-CE can be static routing, OSPF multi-instance, IS-IS multi-instance, EBGp

ANSWER: C

QUESTION NO: 3

Router HW enables OSPF and router HW has the role of ABR and is configured with abr-summary, then which class LSA Will it be aggregated?

- A. 1 Class LSA
- B. 2 kind LSA
- C. 3 kind LSA
- D. 4 kind LSA
- E. 5 Class LSA

ANSWER: A B

QUESTION NO: 4

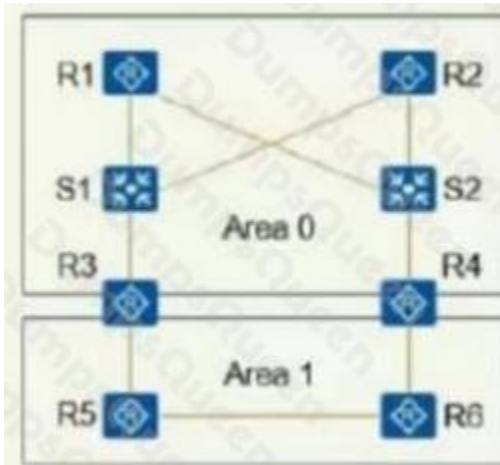
In an MPLS BGPVPN networking that does not enable MPLS penultimate hop pop-up technology. When the message reaches the last hop PE, the message has two layers of labels, and the two layers of label values can be the same.

- A. TRUE
- B. FALSE

ANSWER: A

QUESTION NO: 5

As shown in the figure, a company sets up an OSPF network. The links in the figure all form OSPF adjacencies, and all OSPF devices declare their own loopback addresses. One day SIR2 The two links of the S2AR1 suddenly failed, and in order to detect if the network was operating properly, the engineers performed a device status check, which is correct as described below



- A. R5 can normally learn the loopback route to R2
- B. R3 can not learn the loopback route to R2
- C. R1 can normally learn the loopback route
- D. R3 of R2 The loopback route of R2 can be learned normally

ANSWER: A B

QUESTION NO: 6

The following description of the characteristics of cross-domain VN-Optionc is correct?

- A. A maximum of two layers of tags need to be used in the message forwarding process.
- B. VPMV4 routes are not saved on the ASBR, and VPNv routes are not advertised to each other.
- C. VPN routes are exchanged directly between the ingress PE and egress PE and do not require an intermediate device to secure a circular VPN route.
- D. Cross-domain VN-Optionc, which is not suitable for use when spanning multiple AS.

ANSWER: B C

QUESTION NO: 7

As shown in the figure, all routing diagrams declare the loopback address in OSPF, where R2 does not return the address is 10022/32, it is advisable to tell AraD. The R3 loopback address is 10033/321001.1.0/24 external routing, in order to reduce the burden on the R1 router, the configuration command is as follows: (Multiple choice questions)[Rlip ip-prefix 1 permit 001.1.024 [RLI]ospfl [RL-ospf-1]filter-policy ip-prefix 1 import please ask the following description is correct?

- A. In the P route table of router R1, there is no external route to 1001.1.0/24
- B. In the IP routing table of router R1, there is an external route to 1001.1.0/24

- C. In the IP routing table of router R1, there is no loopback route to R2
- D. In the IP routing table of router R1, there is no loopback route to R3

ANSWER: A C D

QUESTION NO: 8

ISIS IPv6 cost 50 is configured under the interface, and the meaning of the command is ?

- A. The LEVEL-1 and Level-2 costs of the interface's IS-IS IPv6 are 50
- B. The LEVEL-1 and Level-2 costs of the INTERFACE's IS-IS IPv6 are both 60
- C. The LEVEL-2 cost of the interface's IS-IS IPv6 is 50
- D. The LEVEL-1 cost of the interface's IS-IS IPv6 is 50

ANSWER: A

QUESTION NO: 9

The following message about the Register in PIM-SM describes the correct ? (Multiple choice questions).

- A. The Register message enables the RP to learn the multicast source information
- B. The Register message is sent by the receiver router
- C. Register messages are sent to RIPv via unicast instead of multicast
- D. The Register message is sent by the source DR

ANSWER: A C D

QUESTION NO: 10

When judging the old and new LSA, the serial number parameter and the age parameter are used , and the following two parameters are correct for ? (Multiple choice questions).

- A. When the router receives two LSAs, where the sequence number is the same and the checksum is the same, the smaller the age, the better
- B. When the router receives—The age of the LSA is set to 3600S, the LSA is unavailable
- C. If the serial number of the LSA reaches the end value of 0x7FFFFFFF, the current router advertises an LSA with an age of 3600S
- D. Both the serial number and age parameters can determine whether the LSA is old or new, and the router prioritizes the sequence to participate in the teaching, and the larger the better

Answer: CD

Explanation:

- A. When the router receives—The age of the LSA is set to 3600S, the LSA is unavailable
- B. If the serial number of the LSA reaches the end value of Ox7FFFFFFF, the current router advertises an LSA with an age of 3600S
- C. Both the serial number and age parameters can determine whether the LSA is old or new, and the router prioritizes the sequence to participate in the teaching, and the larger the better

ANSWER: B C

QUESTION NO: 11

MSTP switches treat RSTP switches as MSTP domains, MSTP, which are formed by a single switch The interchange resolves the RSTBPDU to MSTBPDU, where IRPC is 0

- A. True
- B. False

ANSWER: A

QUESTION NO: 12

Is the following description of the differences between IGMP name versions correct?

- A. IGMPv1/v2 cannot elect the querier itself, while IGMPv3 can
- B. IGMPv1 does not support specific group queries, while IGMPv2 does
- C. IGMPv1/2/v3 cannot support the SSM model
- D. For members to leave, IGMPv2/v3 can actively leave, while IGMPv1 cannot

ANSWER: B D

QUESTION NO: 13

A workstation is connected to an Ethernet switch in the work through a super-class 5 wire, the workstation can access the entire network (that is, full connection) through the switch, but the access rate is much lower than expected, when viewing the switch interface statistics, you can detect that there are many ultra-small frames, with software to read the statistics of the workstation network card, found that there are Many FCS and frame alignment errors, what causes the machine to cause these errors?

- A. The rate mismatch between the workstation and the switch

- B. Interface mismatched to an 8021Qtrunk interface
- C. The line between the workstation and the switch has been completely damaged
- D. The operating mode between the workstation and the switch does not match
- E. The network interface card on the workstation is damaged

ANSWER: D

QUESTION NO: 14

What are the following advanced features supported by BGP EVPN?

- A. ARP broadcast suppression
- B. VRRP overVXLAN
- C. Multi-active gateway
- D. WI-AN Qos

ANSWER: A B C D

QUESTION NO: 15

??? aggregate ipv4-address { mask/masklength }[as-set lattribute-policy route-policy-name1 ldetail-suppressedlorigin-policy route-

in policy-name2[suppress3policy route-policy-name3], multiple parameters can be used to influence summary routes and their results. The correct description about the command is ?(Multiple choice questions).

- A. If As-set is configured, the A S_PATH of the aggregate route contains ass path information for all specific routes in case the route loop is blocked
- B. If Suppress-policy is configured, aggregate routes are also generated, and the if-match clause in Route-policy is used to pick suppressed detail routes. Detail routes that match Route-policy are still advertised to other BGP neighbors
- C. If Origin-policy is configured, only detail routes that match Route-policy can participate in aggregation
- D. If You configure The Interface-policy, you can change the properties of the aggregate route

ANSWER: A C D

QUESTION NO: 16

What are the following correct statements about MUX VLANs?(Multiple select).

- A. The Principal VLAN can communicate with all VLANs within the MUX VLAN

- B. Each Separate VLAN must be bound to a Principal VLAN
- C. Separate VLANs can communicate with all VLANs within a MUX VLAN
- D. Each Group VLAN must be bound to a Principal VLAN

ANSWER: A B D

QUESTION NO: 17

OSPFv2 is an IGP running on an IPV4 network; OSPFV3 is an IGP running in an IPV6 network

IGP, OSPFv3 in the network has a similar LSA type compared to OSPFV2, but the functionality is slightly different, osPFv3LSA type does not include which of the following?

- A. Router-LSA
- B. Network-LSA
- C. Asbr-summary-LSA
- D. AS-external-LSA

ANSWER: C

QUESTION NO: 18

If you have a Huawei switch running the STP protocol, and now connect the GO/O/17 interface and the GO/O/18 interface of the switch through a cable, then the scenario described below is correct ?(Single choice questions).

- A. Both the G0/0/17 interface and the GO/0/18 interface enter the Forwarding state
- B. Both the Go/0/17 interface and the G0/0/18 interface enter the Disccarding state
- C. The Go/0/17 interface enters the Blocking state
- D. The GO/0/18 interface will continuously change back and forth between the Listening state and the Learning state
- E. GO/0/18 interface will enter the Disking state

ANSWER: E

QUESTION NO: 19

The Layer 3 logical interface on XLAN L3 Gateway that enables communication between different VXLAN virtual networks is ?

- A. Layer 2 sub-interface

- B. NVE interface
- C. VBDIF interface
- D. VLANIF interface

ANSWER: C

QUESTION NO: 20

What is the wrong description of the function of OSPFv3 protocol authentication?

- A. OSPFv3 can only establish a security alliance SA using manual mode
- B. Huawei router OSPFv3 IPsec authentication can not only support transmission mode, but also support tunnel mode
- C. OSPFv3 authentication relies on IPv6 packet authentication headers and encapsulation security net load headers
- D. The OSPFv3 protocol header removes the Type and Automation fields

ANSWER: B