

# DUMPSQUEEN

## Certified LabVIEW Associate Developer Examination

NI CLAD

Version Demo

Total Demo Questions: 8

Total Premium Questions: 114

Buy Premium PDF

<https://dumpsqueen.com>

[support@dumpsqueen.com](mailto:support@dumpsqueen.com)

dumpsqueen.com

## QUESTION NO: 1

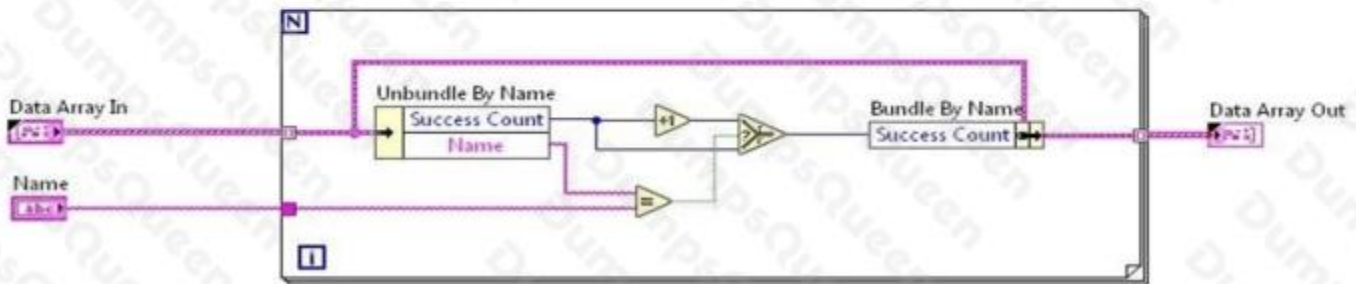
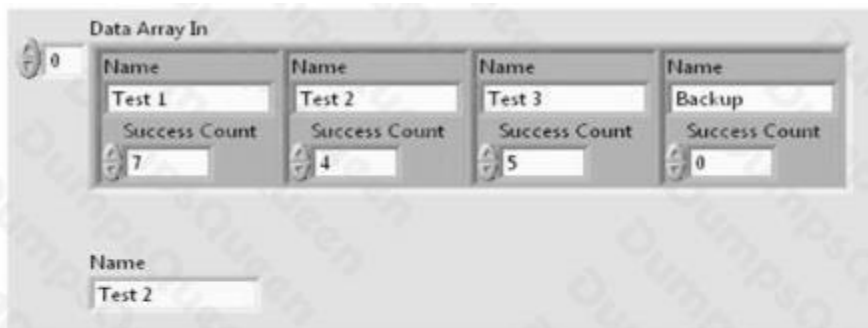
Which VI memory components are ALWAYS S resident for a SubVI? (Choose all apply)

- A. Data Space
- B. Front Panel
- C. Block Diagram
- D. Code

ANSWER: A D

## QUESTION NO: 2

What will be displayed in Data Array Out after the VI runs with Data Array In and name input as shown?



A. **Data Array Out**

|               |               |               |               |
|---------------|---------------|---------------|---------------|
| Name          | Name          | Name          | Name          |
| Test 1        | Test 2        | Test 3        | Backup        |
| Success Count | Success Count | Success Count | Success Count |
| 8             | 5             | 6             | 1             |

B. **Data Array Out**

|               |               |               |               |
|---------------|---------------|---------------|---------------|
| Name          | Name          | Name          | Name          |
| Test 1        | Test 2        | Test 3        | Backup        |
| Success Count | Success Count | Success Count | Success Count |
| 7             | 5             | 5             | 0             |

C. **Data Array Out**

|               |
|---------------|
| Name          |
| Test 2        |
| Success Count |
| 5             |

D. **Data Array Out**

|               |               |               |               |
|---------------|---------------|---------------|---------------|
| Name          | Name          | Name          | Name          |
| Test 1        | Test 2        | Test 3        | Backup        |
| Success Count | Success Count | Success Count | Success Count |
| 7             | 4             | 6             | 0             |

- A. Option A
- B. Option B
- C. Option C
- D. Option D

**ANSWER: A**

### QUESTION NO: 3

In what instance would you use the Probe tool rather than Highlight Execution?

- A. To see the flow of data

- B. To see the value of a wire in real-time
- C. To look into a SubVI, as the process is running
- D. To slowdown the VI and show data values in wires

**ANSWER: B**

## QUESTION NO: 4

Which of the following statements is true?

- A. The default setting for a tunnel into or out of a For Loop has auto-indexing enabled if the data being passed is an array. and
- B. The default setting for a tunnel into or out of a While Loop has auto-indexing disabled if the data being passed is an array. are trued.
- C. Both
- D. None of the above

**ANSWER: C**

## QUESTION NO: 5

Which of the following apply to Property Nodes? (Choose all apply)

- A. Property Nodes allow attributes of front panel objects to be programmatically manipulated.
- B. Property Nodes can be used to u pdate the values contained in a front panel object.
- C. More than one Property Node can be used for a single front panel object.
- D. Property Nodes contained in a SubVI will always cause the front panel to be loaded in memory.

**ANSWER: A B C D**

## QUESTION NO: 6

Which of the following is the best method to update an indicator on the front panel?

- A. Use a Value property node
- B. Wire directly to the indicator terminal

C. Use a local variable

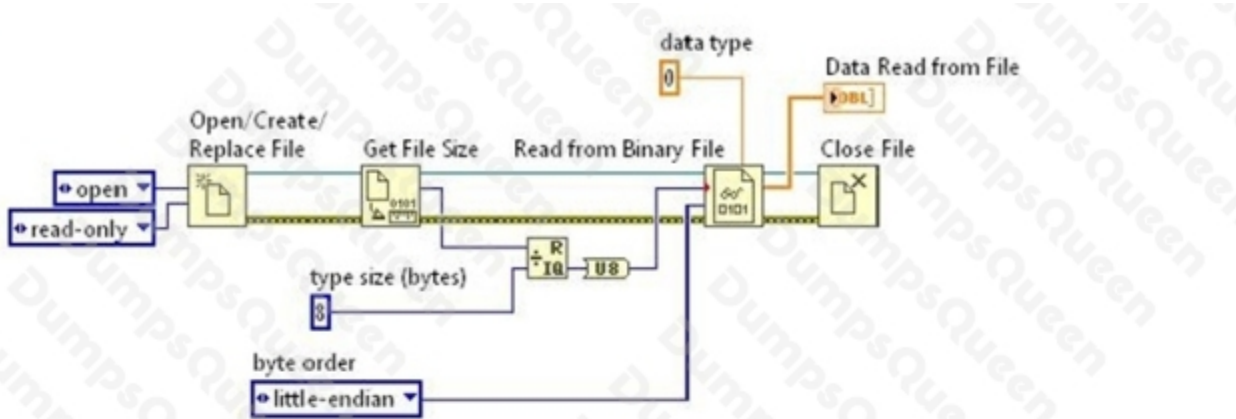
D. Use a functional global variable

**ANSWER: B**

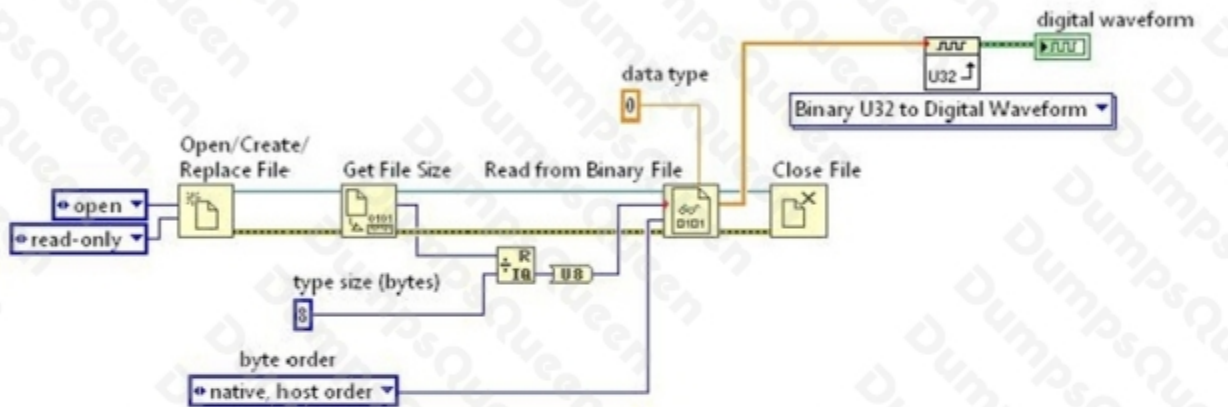
**QUESTION NO: 7**

Which of the following VIs will generate a human-readable text file?

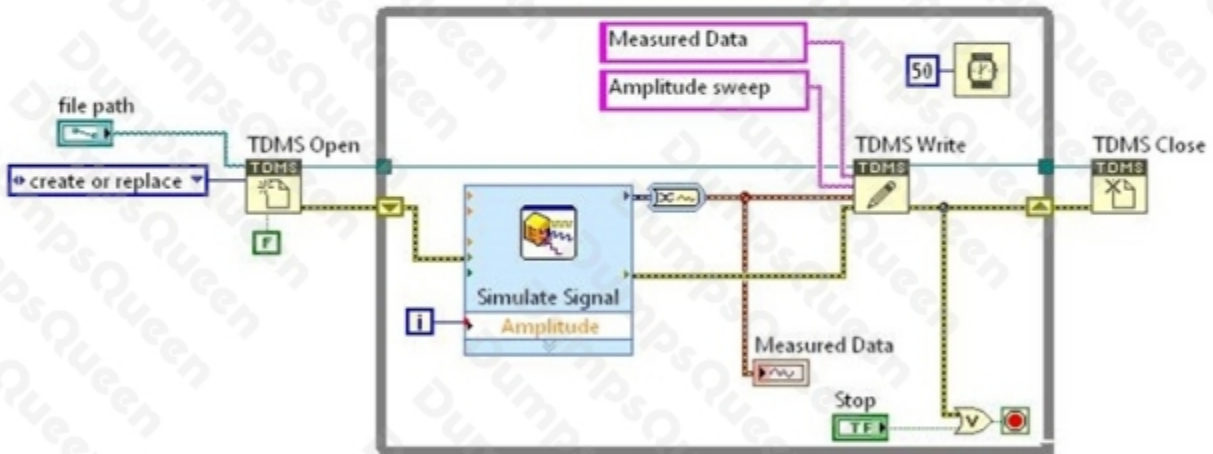
A.



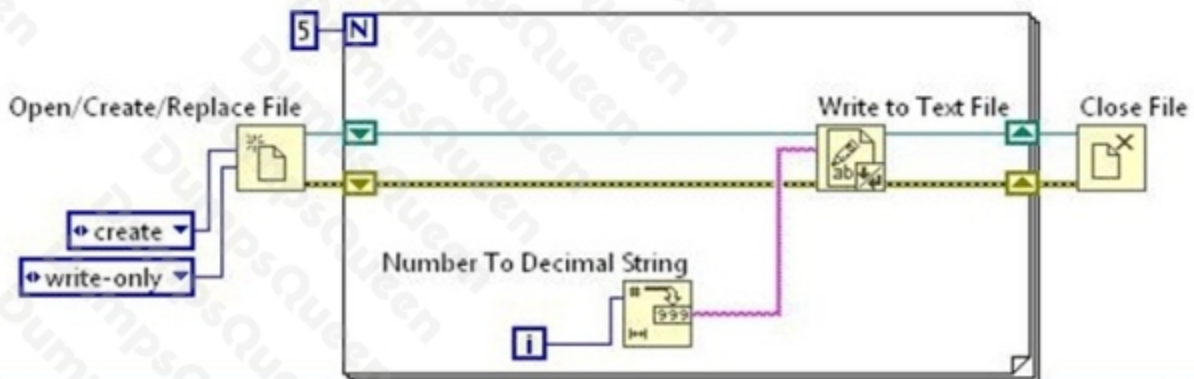
B.



C.



D.



- A. Option A
- B. Option B
- C. Option C
- D. Option D

**ANSWER: B**

## QUESTION NO: 8

If an input name on the Show Context Help window is in bold for a SubVI, which of the following conditions are true?  
(Choose all apply)

- A. Input values must be scalar.
- B. An input is recommended, but not required.
- C. An input is required.
- D. A broken run arrow will result unless the input is wired.

**ANSWER: C D**